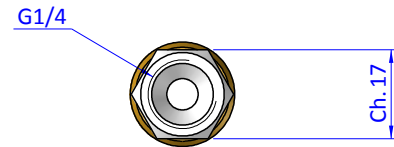
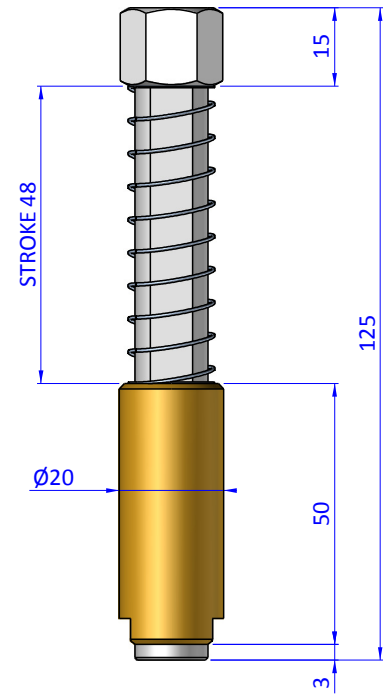
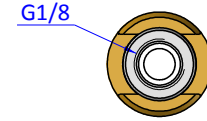
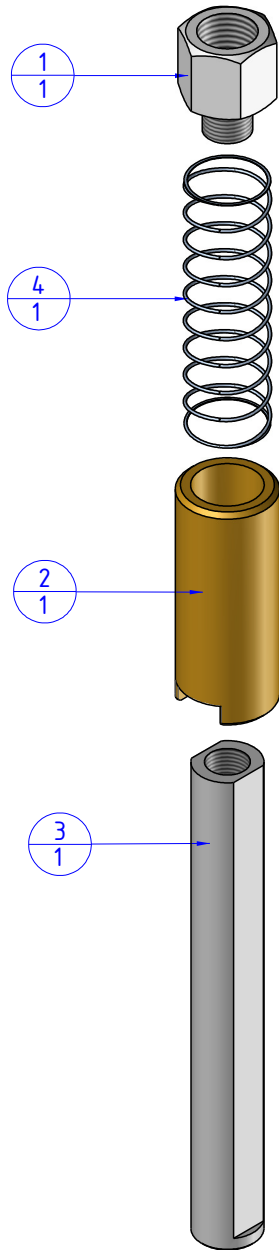


THE PROPERTY OF THE DRAWING IS ESTABLISHED BY LAW. IT IS FORBIDDEN TO PRODUCE OR SHOW IT TO THIRD PARTY, WITHOUT A WRITTEN AGREEMENT.

Item	Name	Q.ty
1	05.02.001.01	1
2	05.02.001.03	1
3	05.02.001.05	1
4	M.16x70	1



Format A3

UNI 936-76

		DESIGNED FROM		REVIEW
		FPSERVICES		A
GENERAL TOLERANCE		DATE	WEIGHT	
UNI - ISO 2768		13/02/2019	0,073kg	
CLASSE f	DESCRIPTION	CODE		
	CA.05.02.002	CA.05.02.002		